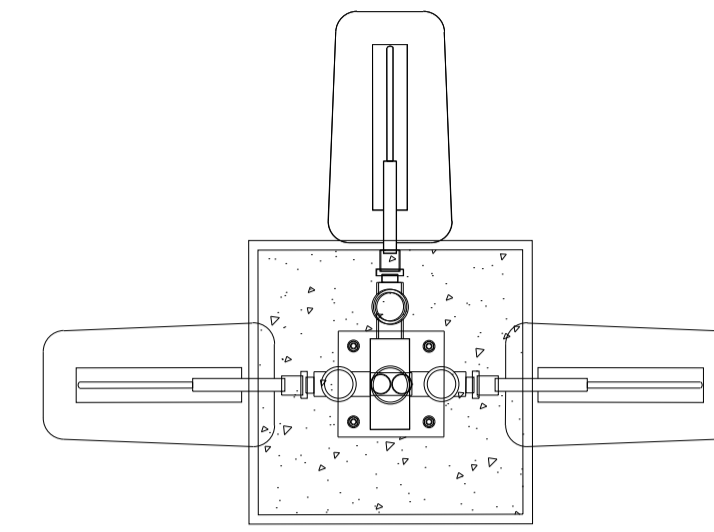
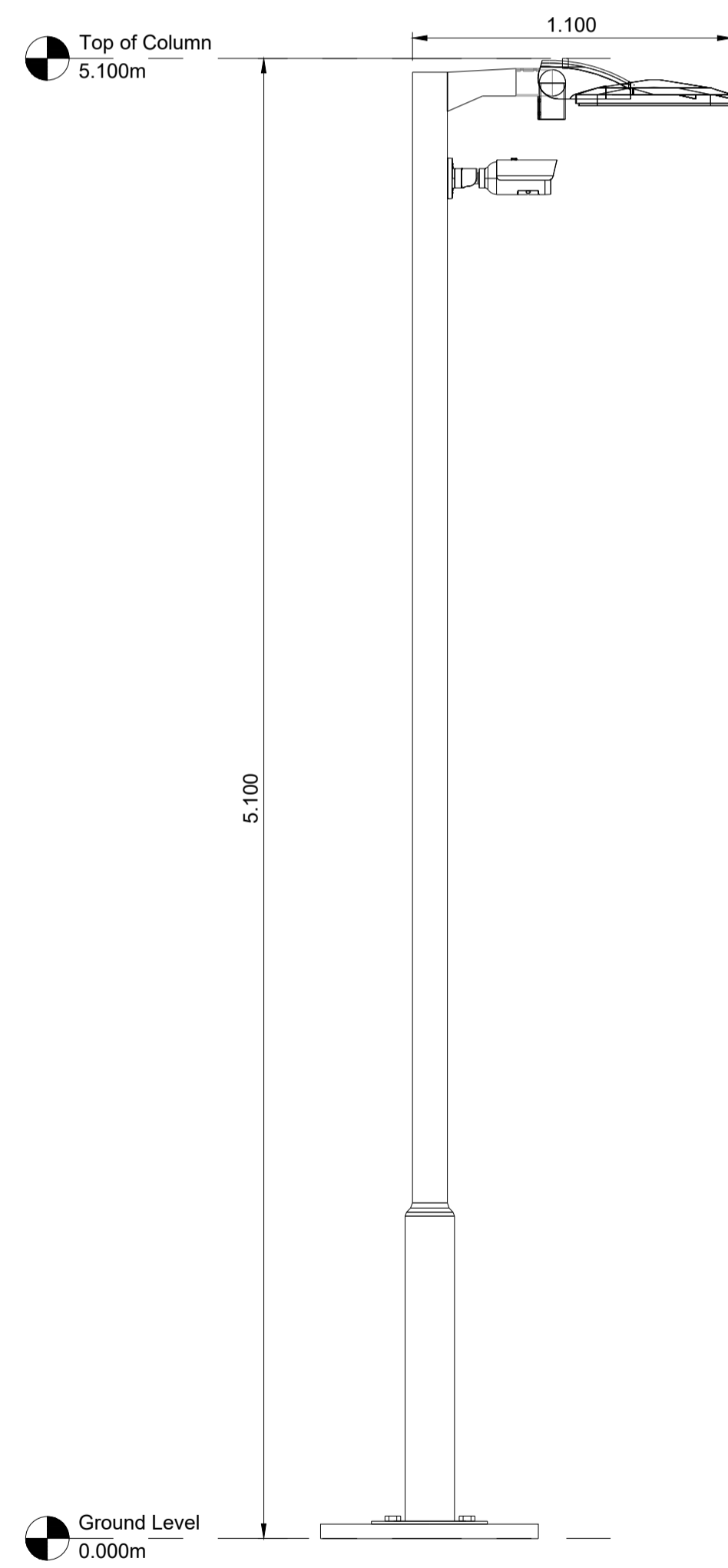


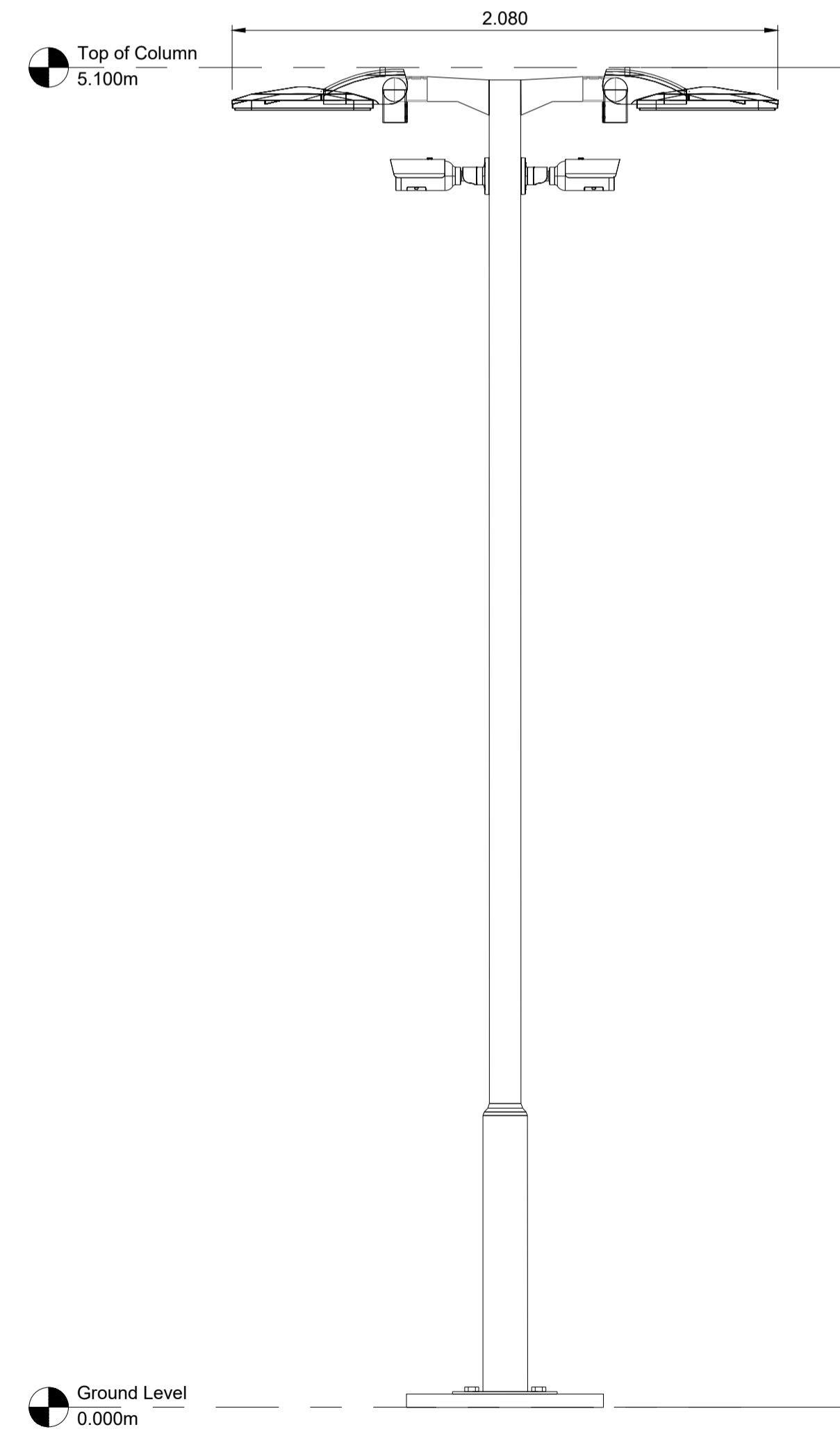
1 Lighting and CCTV Column Plan - Double Bracket
Scale 1:20 @ A1



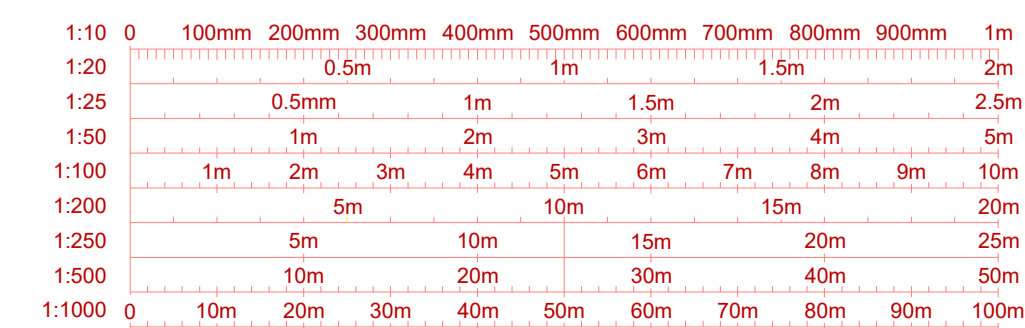
2 Lighting and CCTV Column Plan - Triple Bracket
Scale 1:20 @ A1



3 Lighting and CCTV Column Elevation - Double Bracket
Scale 1:20 @ A1



4 Lighting and CCTV Column Elevation - Triple Bracket
Scale 1:20 @ A1



- Drawing Notes**
- All dimensions are shown in metres unless noted otherwise.
 - Do not scale from this drawing.

| | | | | |
|-----|------------|---|----|------|
| 1 | 19.06.2024 | Notes amended | JH | AP |
| 0 | 13.06.2024 | Lighting and CCTV Column Plan and Elevations - Original | JH | EW |
| REV | DATE | DESCRIPTION | BY | CHKD |

FIELD
Field
Fora Montacute Yards
186 Shoreditch High Street
London
E1 6HU

PROJECT
Knocknagael

TITLE
Lighting and CCTV Column
Plan and Elevations

DISCIPLINE
PLANNING

DRAWING STATUS
FOR PLANNING

| | | | | |
|-------------|-------------|----------|------------|-------------|
| SCALE | DATE | DRAWN BY | CHECKED BY | APPROVED BY |
| 1:20 @ A1 | 13.06.2024 | JH | EW | JM |
| PROJECT NO. | DRAWING NO. | | | REV. |
| BTGBKN001 | 004.7 | | | 01 |